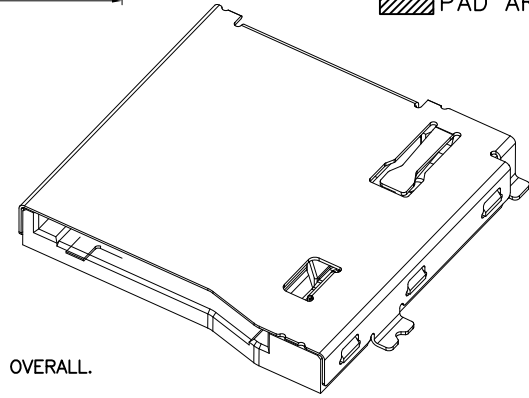


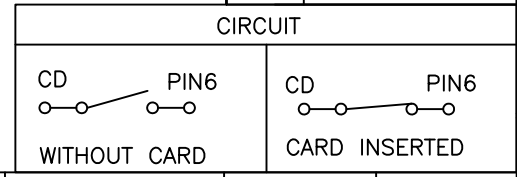
PART.NO.:
MR289-AP401-**

- 08: 功能区镀金10", 焊脚GOLD FLASH
- 09: 功能区镀金30", 焊脚GOLD FLASH
- 10: 功能区镀金50", 焊脚GOLD FLASH
- 11: 功能区镀金150", 焊脚GOLD FLASH
- 12: 功能区镀金300", 焊脚GOLD FLASH

- NOTES :
- MATERIAL :
 - HOUSING:LCP S475 UL94 V-0, BLACK COLOR.
 - SHELL: Stainless Steel SUS304.
 - CONTACT: Copper Alloy C5210.
 - FINISH :
 - CONTACT: GOLD PLATING ON CONTACT AREA, GOLD FLASH ON SOLDER AREA. 50u" MIN NICKEL PLATING OVERALL.
 - SHELL: 30u" MIN SOLDERABLE NICKEL PLATING OVERALL.
 - Electrical Characteristics:
 - Operating voltage : 100V AC(rms)/DC.
 - Current rating : 0.5 A.
 - Operating Temperature: -25°C~+85°C.
 - Contact resistance: 100 m ohms max.
 - Insulation resistance: 1000M ohms min. at 250VDC.
 - Dielectric withstanding voltage:500 VAC/1minute.



Pin No.	Pin Assignment
PIN1	Micro SD DAT2
PIN2	Micro SD CD/DAT3
PIN3	Micro SD CMD
PIN4	Micro SD VDD
PIN5	Micro SD CLK
PIN6	Micro SD VSS
PIN7	Micro SD DAT0
PIN8	Micro SD DAT1
PIN9	Micro SD CD
PIN10	GND



GENERAL TOLERANCE	DWG.NO.	MR289-AP401-00	PART.NO.	MR289-AP401-**	DRAWN	L.M.J 2023.02.21
x.±0.50	REV.	X1	TITLE	Micro SD Push H2.15 conn.	CHECKED	
.x±0.25	SIZE	A4	SHEET	1/2	APPROVED	
.xx±0.15						

UNIT	mm	SCALE	1:1
东莞市欧联电子科技有限公司 DONGGUAN OLN ELECTRONICS TECHNOLOGY CO., LTD.			

RoHS Compliant

HF

PRELIMINARY

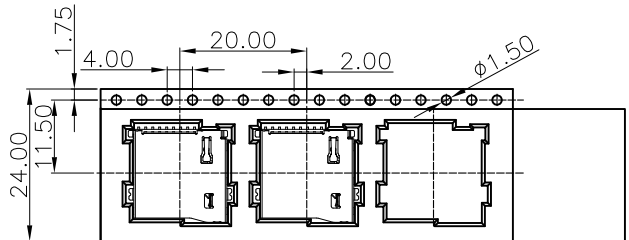
东莞市欧联电子科技有限公司

包装作业规范

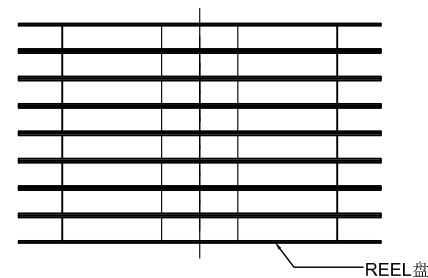
REV.	ECN.NO.	MODIFY.CONTENT
X1		NEW

包装作业图示及说明 (PACKING OPERATION DIAGRAM & INSTRUCTION)

- 一.
- 1) 将成品一一放入REEL包装盘内, 依同一方向放入.
 - 2) 包装时, 如下图所示.
 - 3) 一个REEL包装盘放置800个成品.



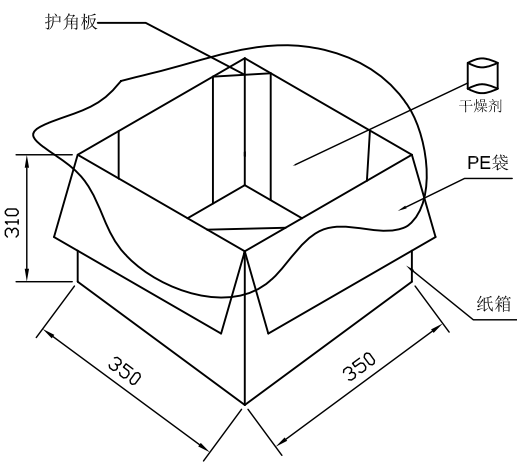
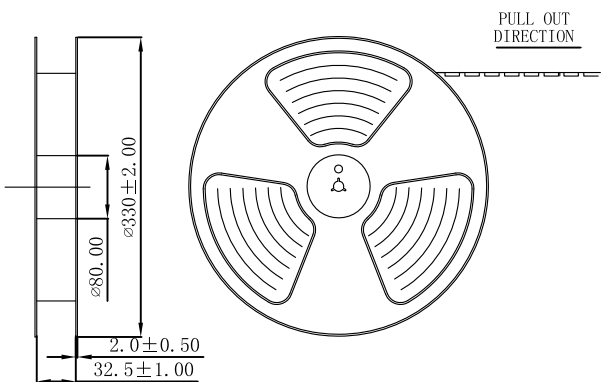
- 三.
- 1) 每箱装 10 盘REEL包装盘.
 - 2) 每箱放置 8000 PCS 的成品.



- 四.
- 1) 用TAPE将纸箱封实.



- 二.
- 1) 装盘前先把前面空15格, 然后再开始装盘, 尾端也需空出15格, 上带加长200mm.
 - 2) 装满成品的REEL包装盘如下图所示.



備註 (REMARK)

1. 若有未裝滿之零數箱, 必須以緩衝材塞滿.

GENERAL TOLERANCE	DWG.NO.	MR289-AP401-00	PART.NO.	MR289-AP401-***	DRAWN	L.M.J 2023.02.21
x.±0.50	REV.	X1	TITLE	Micro SD Push H2.15 conn.	CHECKED	
.x±0.25	SIZE	A4	SHEET	2/2	APPROVED	
.xx±0.15						

UNIT	mm	SCALE	1:1
东莞市欧联电子科技有限公司 DONGGUAN OLN ELECTRONICS TECHNOLOGY CO., LTD.			